



MISC/
FORTUNE

SPECIFICATIONS

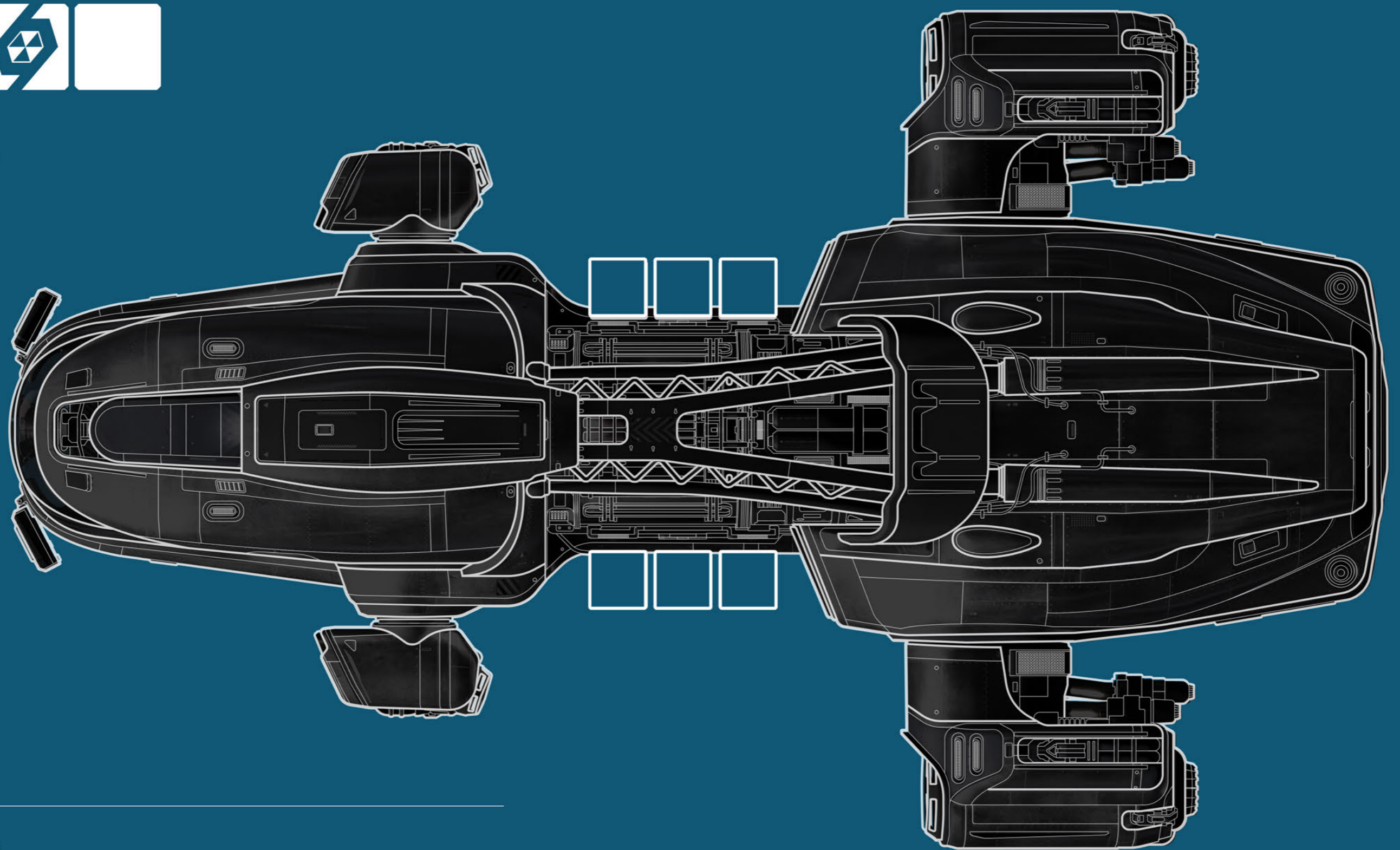
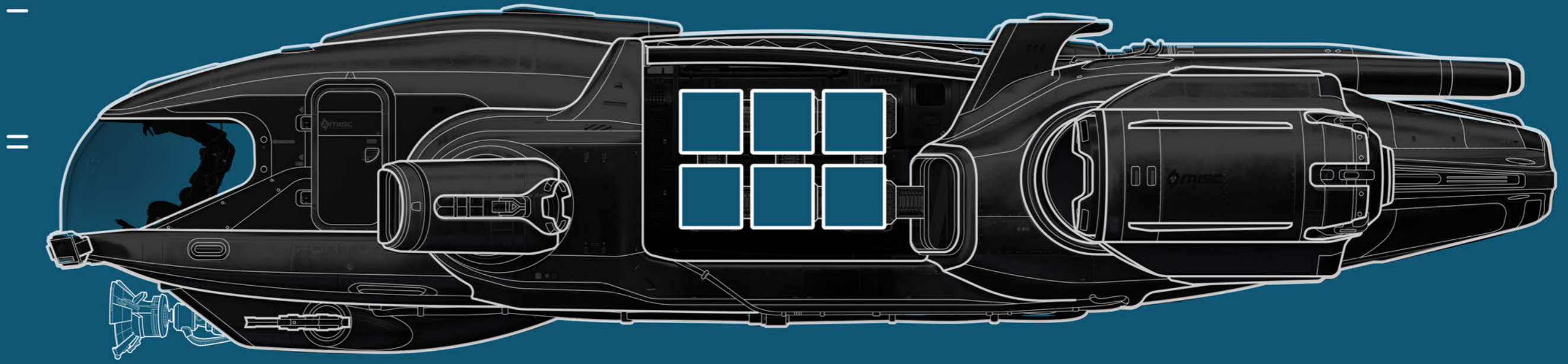
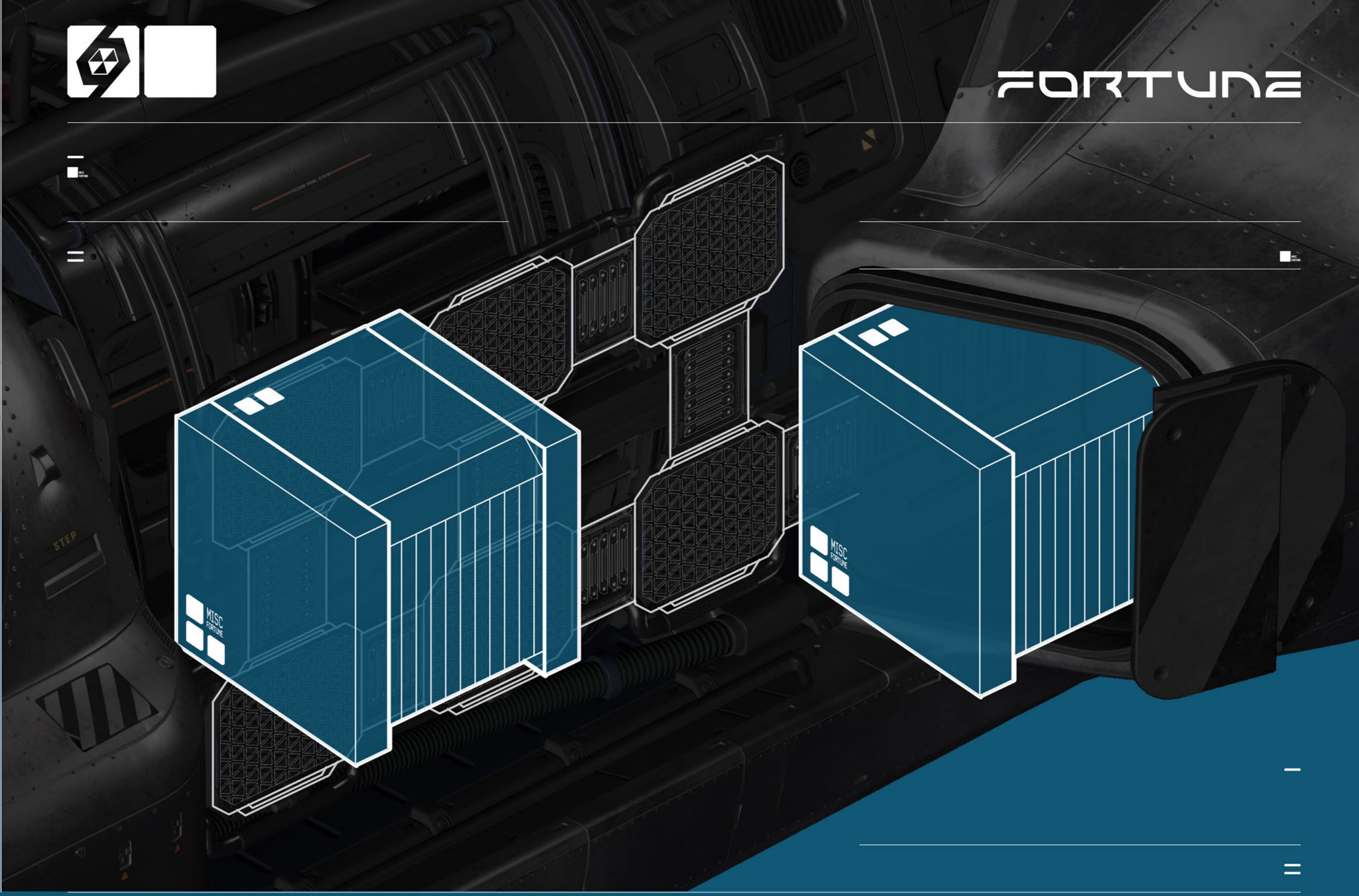
FOR



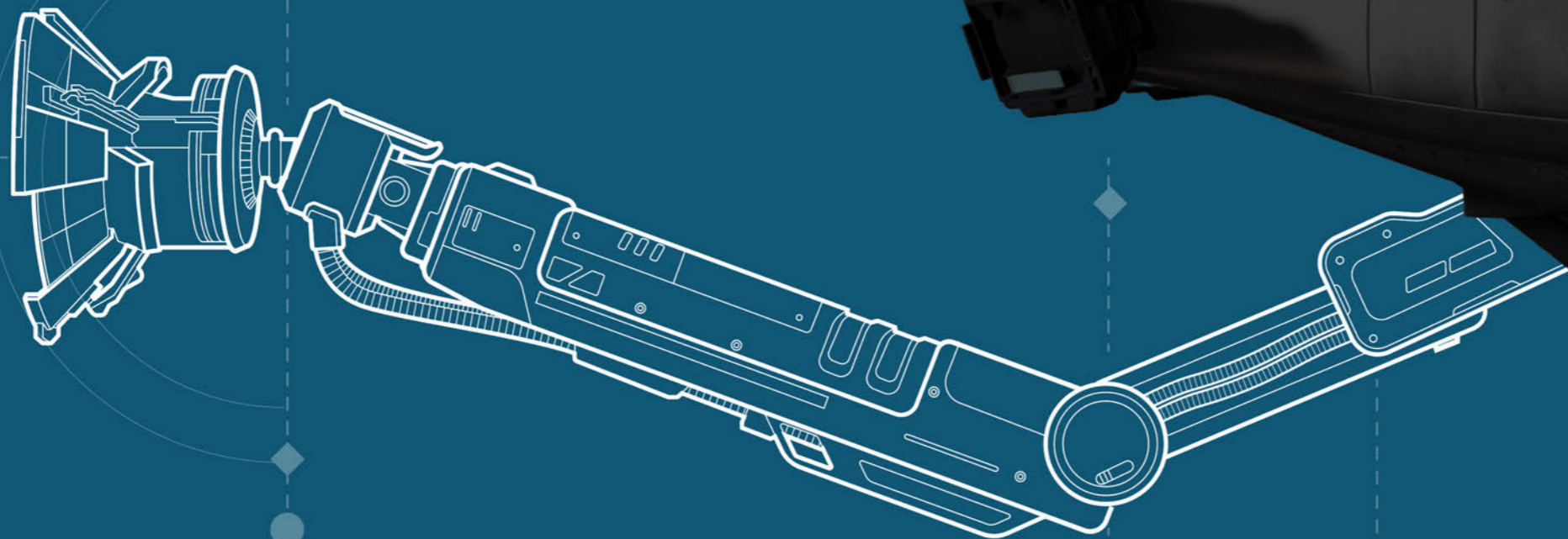
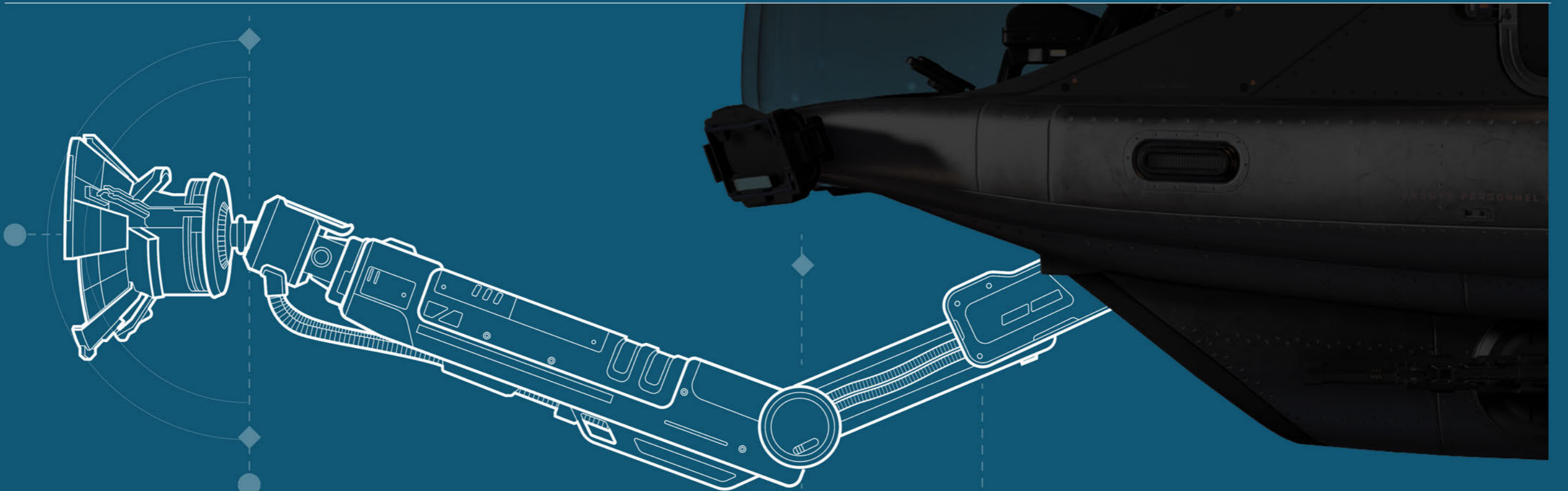
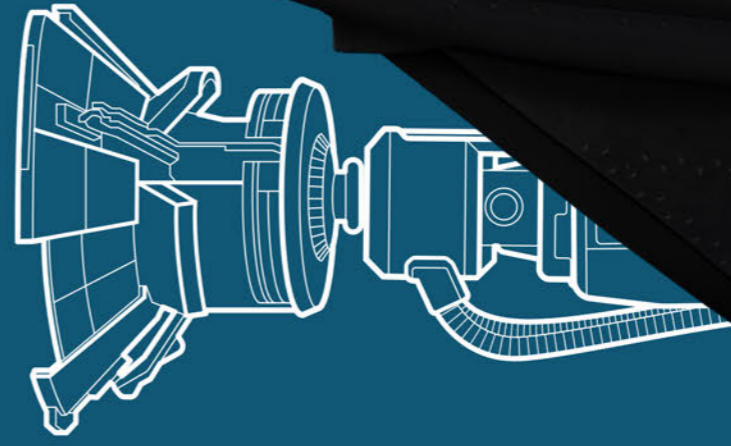
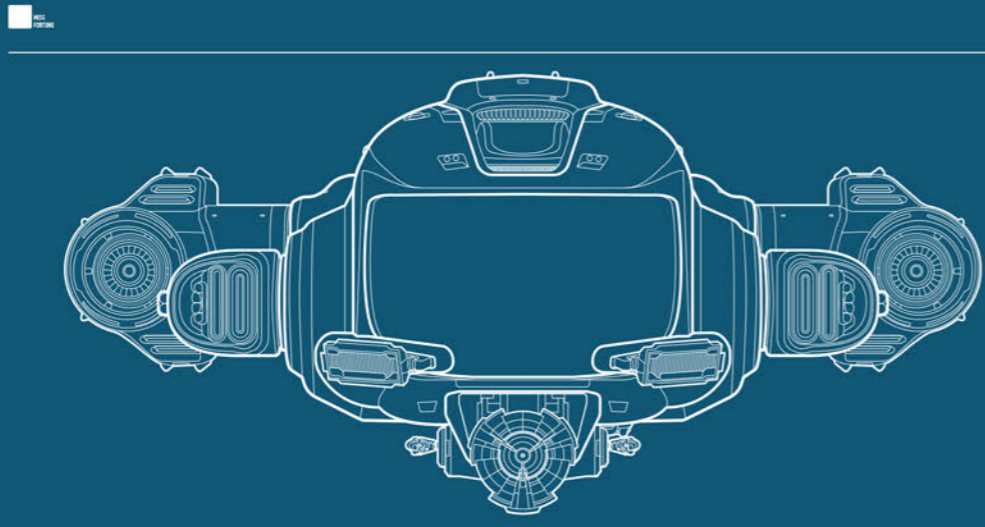
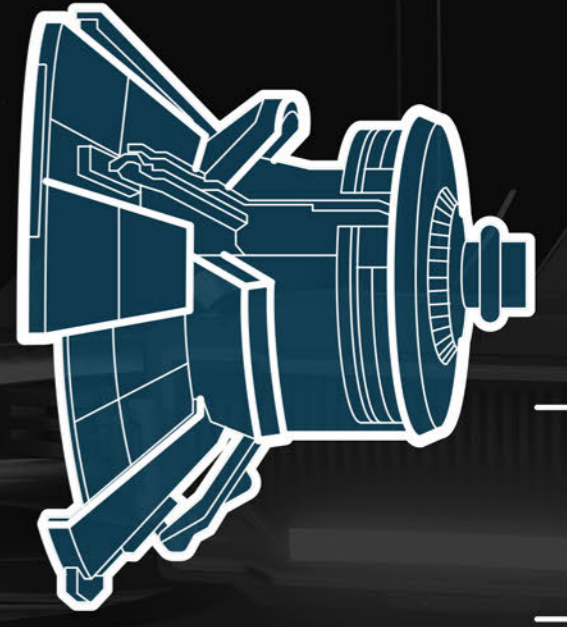
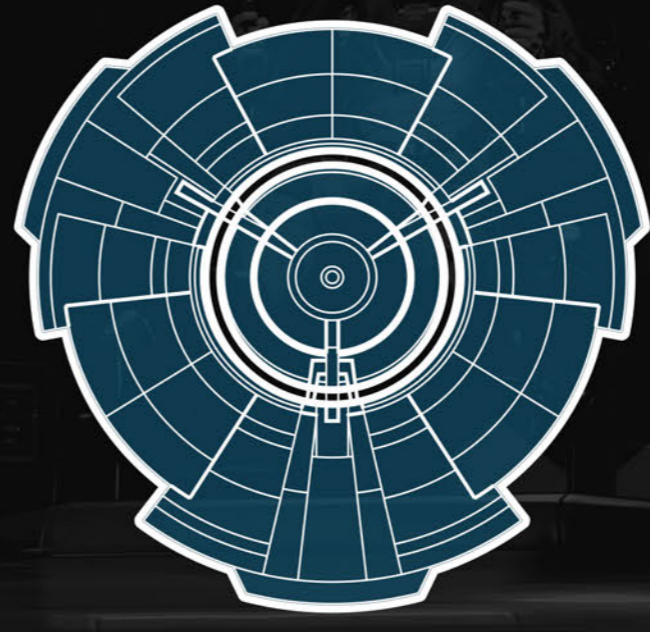
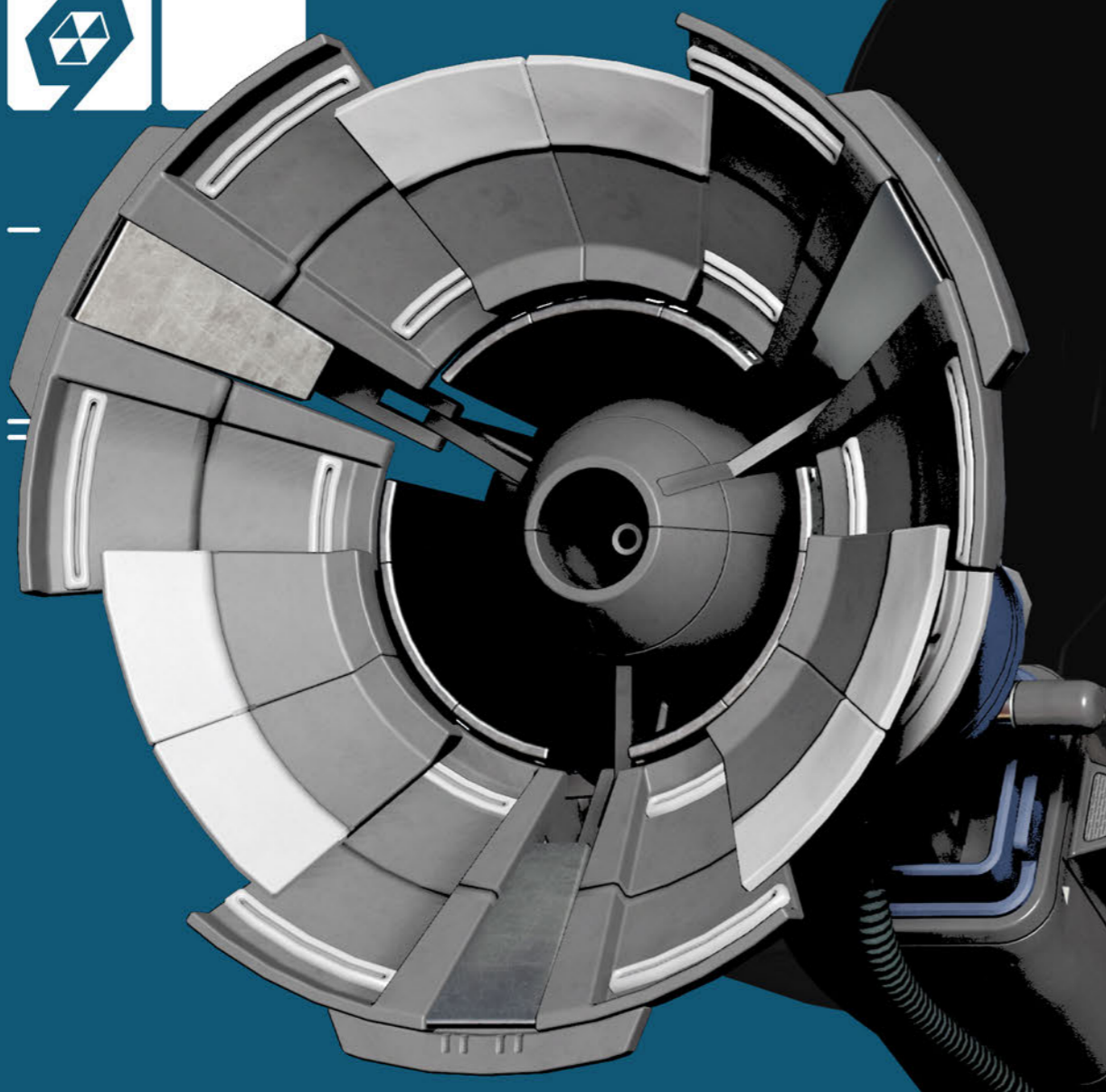


FORTUNE

MISC FORTUNE



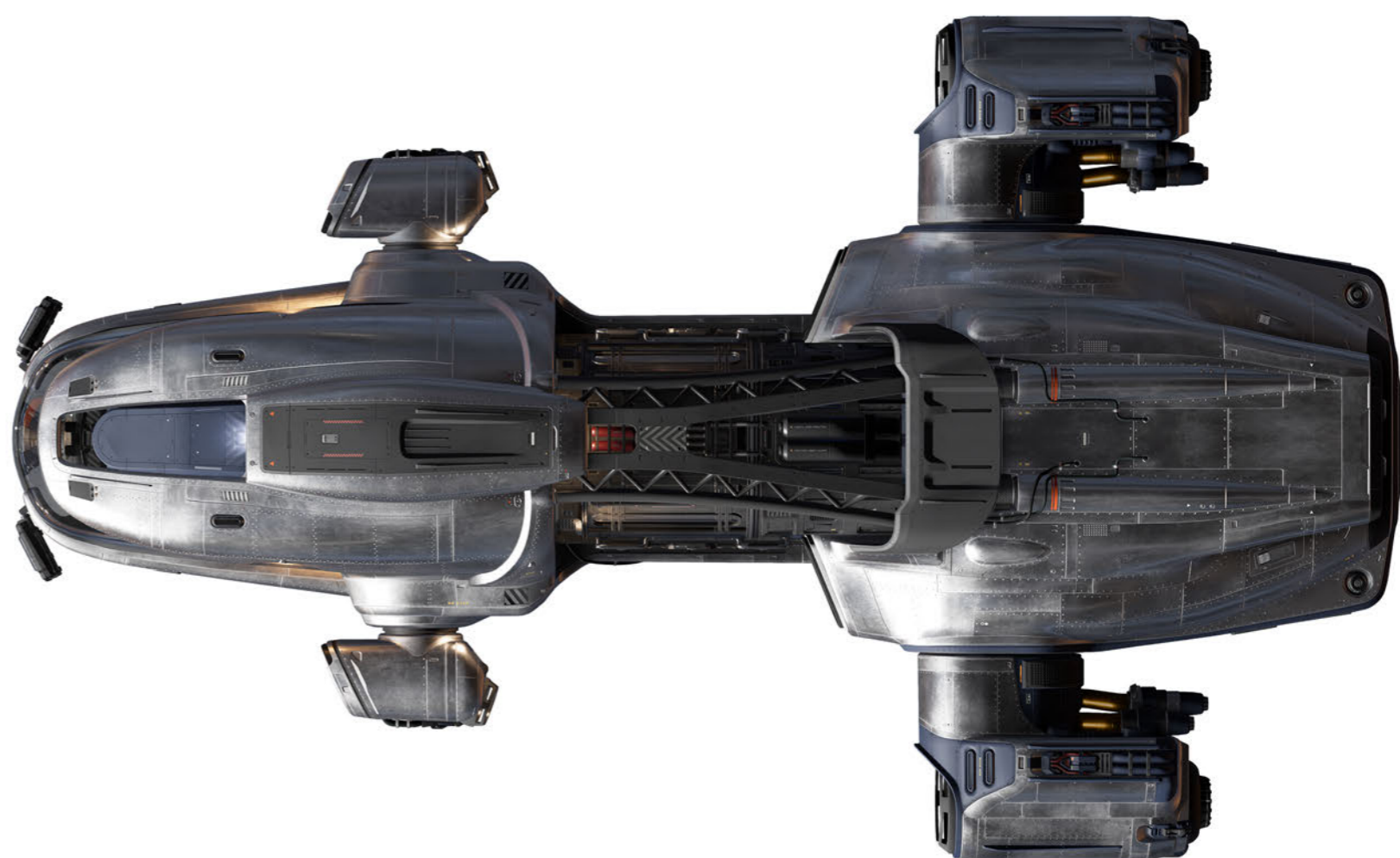
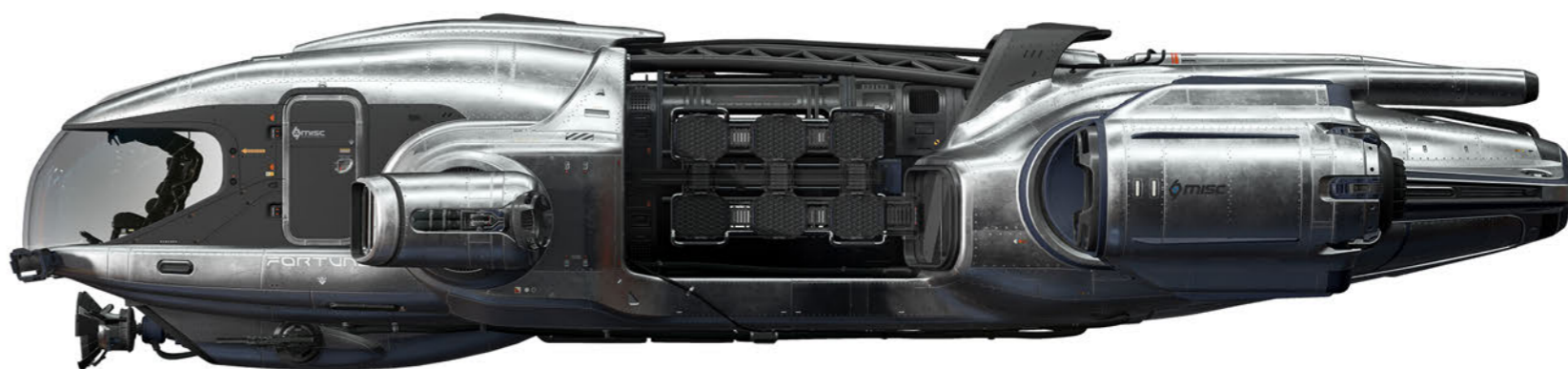
MISC FORTUNE





MISC/
FORTUNE

SPECIFICATIONS



GENERAL

LENGTH:	26M
WIDTH:	16M
HEIGHT:	7M
SCM SPEED:	143 M/S
CARGO CAPACITY:	12 SCU (2X EXTERIOR CARGO PYLONS) 4 SCU (INTERNAL)
STATIONS & SEATS:	1X PILOT SEAT
CREW QUARTERS:	STANDARD (BED + TOILET/SHOWER)

HULL

FUEL INTAKES:	1
FUEL TANKS:	1
QUANTUM FUEL TANKS:	1
PROPULSION	
POWER PLANTS:	1X S2
QUANTUM DRIVE:	1X S1
JUMP DRIVE:	1X S1
THRUSTERS:	5X MAIN, 5X RETRO
MAV THRUSTERS:	12X MAV

AVIONICS

COMPUTERS:	1X S1
RADAR:	1X S1
RELAY:	1X DUAL SLOT
SYSTEMS	
SHIELD GENERATORS:	3X S1
COOLERS:	1X S2
GRAVITY GENERATOR:	1X S1
LIFE SUPPORT:	1X S1

WEAPONS

PILOT CONTROLLED WEAPONS:	2X S1
UTILITY MOUNTS	
1X S1 SALVAGE ARM	

